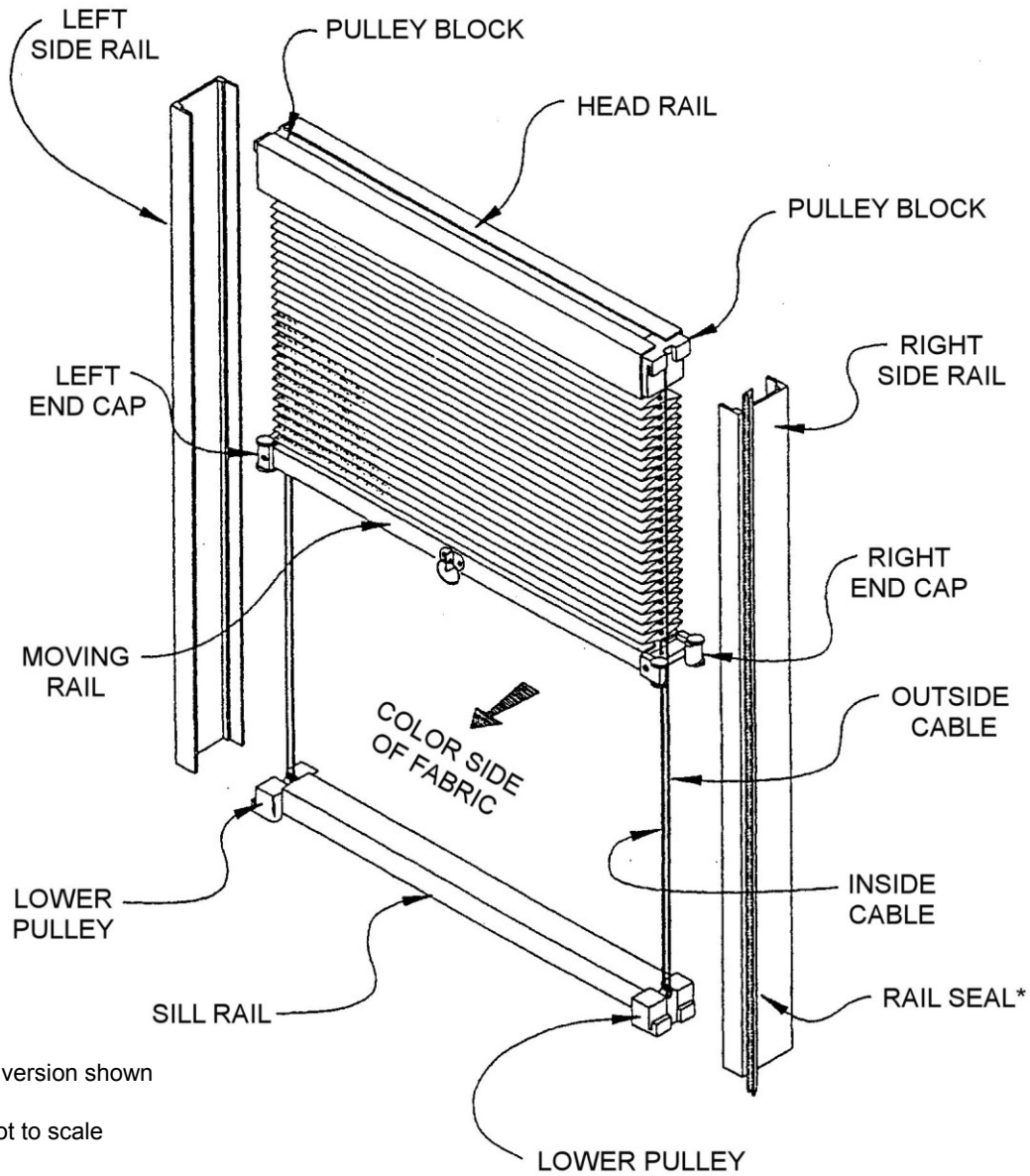
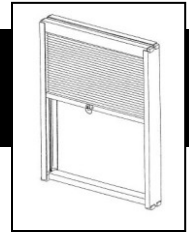


Daylight Skylight Shade (Manual) Installation Instructions



Stack Top version shown

Drawing not to scale

*Rail seal for side rail, sill rail and front head rail.

For best results, read all of these instructions before beginning installation!

MATERIALS SUPPLIED WITH THIS ORDER

Installation Brackets

- 4 per shade



MATERIALS NOT INCLUDED

Mounting Screws

- 2 per bracket
- at least 2 per side rail (see pre-drilled holes in rails - page 6)

Self Tapping



OR

Sheet Rock



TOOLS REQUIRED

- Variable Speed Hand Drill
- Assorted Drill Bits
- Mallet (any size rubber or nylon)
- Small Phillips Head Screwdriver
- Small Flat Head Screwdriver
- Tape Measure

Note: This shade is designed for inside mount applications only, minimum 2" required for mounting. The compressible rail seal will fill a 1/2" variation in the opening.

ASSEMBLING SHADE

ASSEMBLE SIDE RAILS

A – Insert the left side rail at an angle into the pulley block hook while swinging the bottom of the rail toward the shade. If necessary, use a mallet to seat the rail into the hook.

B – Fit the bottom end of the side rail into the lower pulley hook. Cable tension will increase when the sill rail is pulled down to insert rail into the hook. Again, use the mallet if required.

IMPORTANT! Make sure the cable is not caught or twisted as the rail is seated in the hook.

C & D – Repeat steps A & B for the right side rail. If the rail is hard to insert at step D, then detach the left rail (at B) and try step D again.

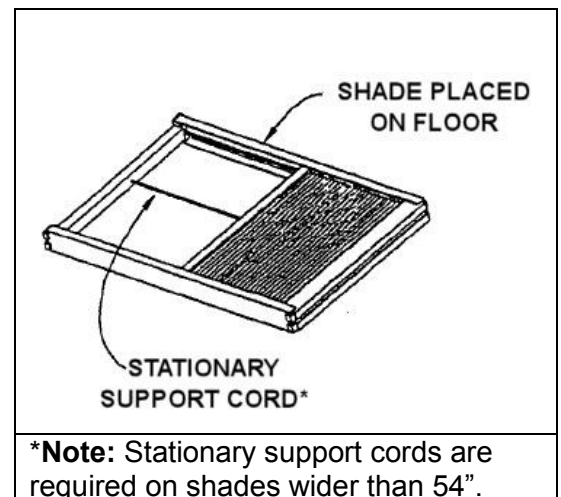
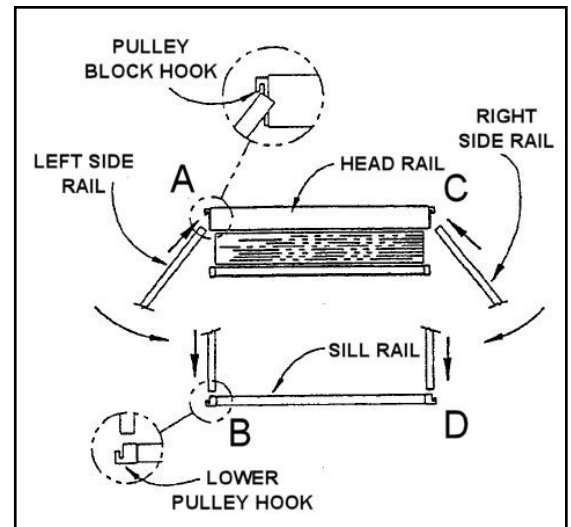
REST SHADE ON THE GROUND

Operate the shade in the same orientation on the floor as it will be mounted in the window. If the shade does not move freely up and down, check the following: Is the moving rail in the side tracks? Is the cable caught or twisted anywhere?

WARNING! Lubricants of any kind should never be used.

POSSIBLE ADJUSTMENTS

- If the moving rail continues to move from a fixed position (see page 7, Cable Tension Adjustment)
- If the moving tail does not fit flush against the sill rail (see page 8, Moving Rail Leveling Adjustment)
- To adjust the tension in the stationary support cord (see page 8, Support Cord Tension Adjustment)

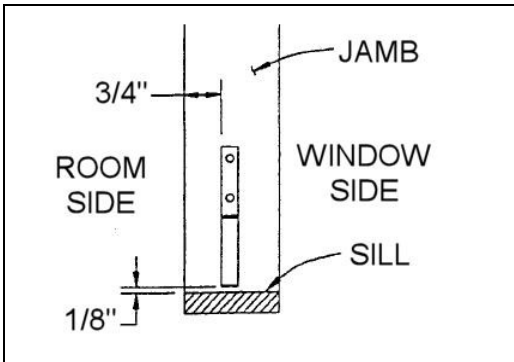


MOUNTING BRACKETS

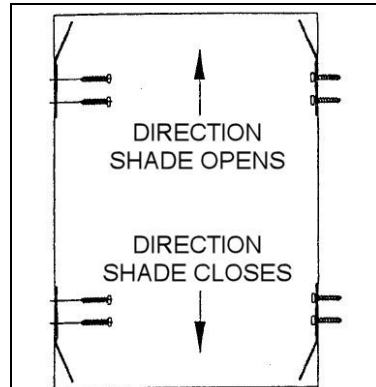
Install one mounting bracket at each corner of the window frame. Mark a line $\frac{3}{4}$ inch in from the inner edge of window frame. Place bracket edge on the line when screwing the bracket in place.

IMPORTANT!

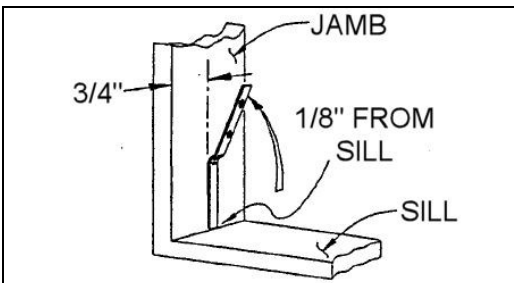
Make sure the spring bracket can be pressed flat against the window jamb without hitting the sill.



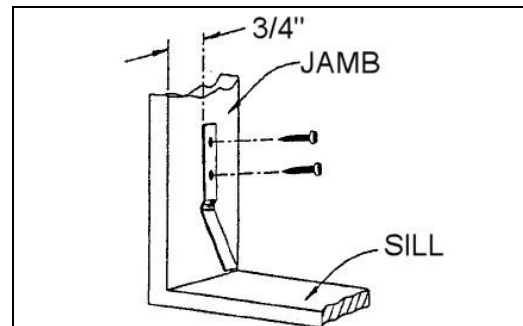
Measure in $\frac{3}{4}$ inch from inner edge and mark a line for placement of the installation bracket.



Install one bracket at each corner as shown.



Place bracket on line as shown, with $\frac{1}{8}$ inch between sill and end of bracket. Roll bracket over so that the holes are against the jamb.

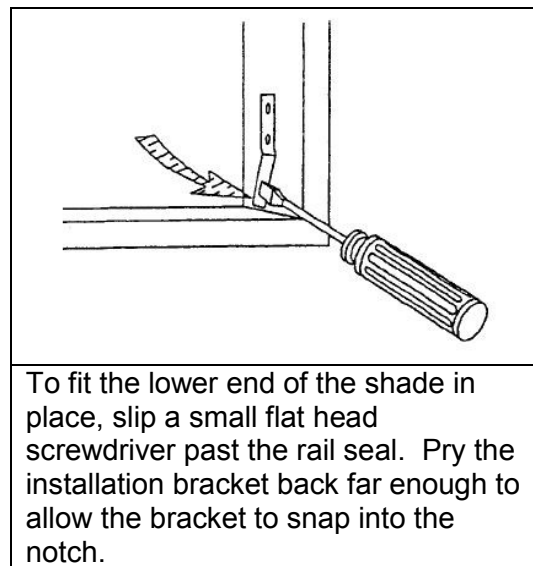
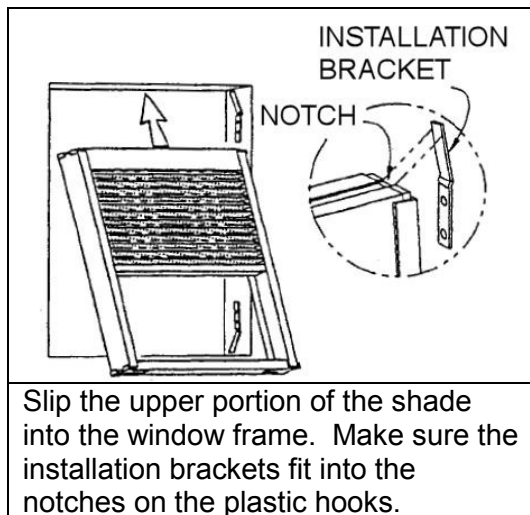


With bracket rolled over, screw bracket into place.

MOUNTING SHADE ASSEMBLY INTO WINDOW FRAME

Align the installation brackets with the notches on the plastic hooks and then slip the upper portion of the shade into the window frame. Make sure that the brackets are seated within the notches.

To fit the lower end of the shade in place, slip a small flat head screwdriver past the rail seal and push the lower installation brackets back far enough to clear the hook and snap into the notch. The rail seal will prevent light gaps around the shade and also compensate for out-of-square window frames (up to 1/2").



ATTACHING SIDE RAILS TO THE WINDOW FRAME

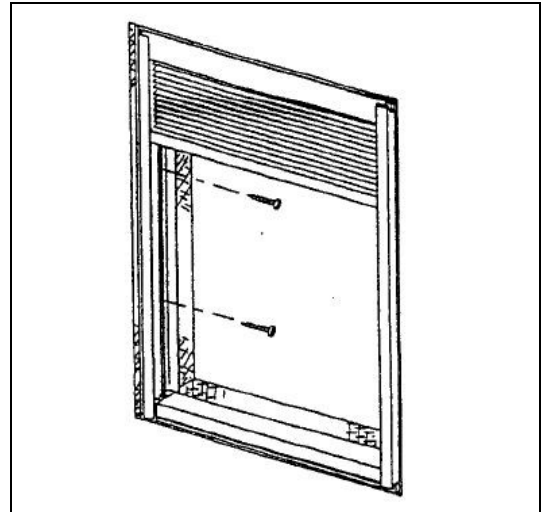
Use either flat head or hex screws to attach the side rails to the window frame through the pre-drilled holes in the side rail.

IMPORTANT! Do not over tighten the mounting screws. Over tightening can distort the side rails. Usually only slight compression is required to mount the shade square within the window frame.

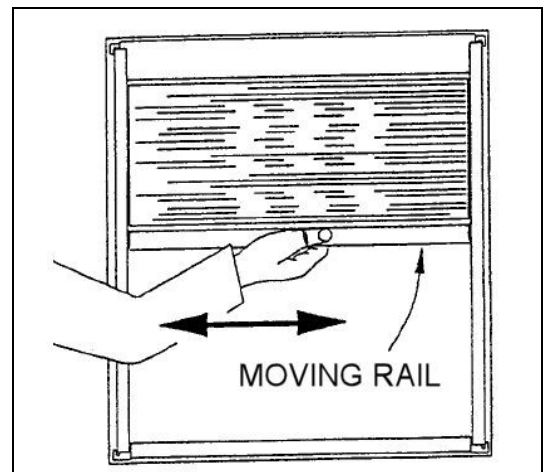
The rail seal around the perimeter of the shade should compress slightly to minimize light penetration, air filtration and account for out-of-square windows (up to 1/2").

CHECKING MOVING RAIL CLEARANCE

For shades over 48 inches high, check the moving rail clearance. Move the rail back and forth by hand while running the shade up and down. If the shade binds or falls out of the side rails during operation, adjust the side rail screws in or out of to solve the problem.



If the shade height is greater than 48 inches attach the side rails to the window frame using mounting screws.



Check moving rail for proper fit after the mounting screws have been put into the side rails. If the mounting screws are too tight, the rail will fall out. If the screws are too loose, the rail may bind.

CABLE TENSION ADJUSTMENT

Increase the cable tension, if the moving rail continues to slide after setting the fixed position. Decrease the cable tension if the moving rail does not slide smoothly. Position moving rail in the middle of the shade. To expose cables behind left end cap, push then lift moving rail while pulling on the side rail.

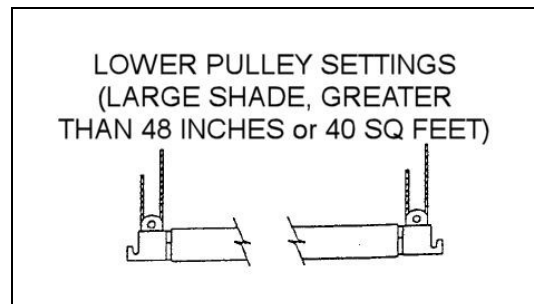
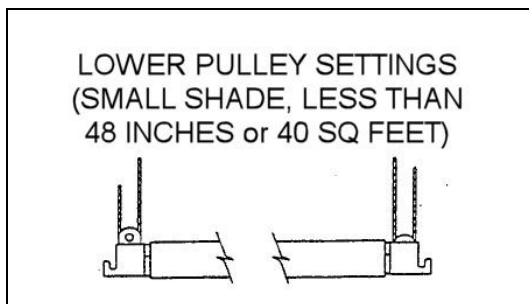
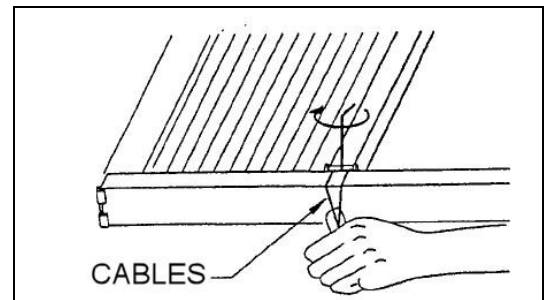
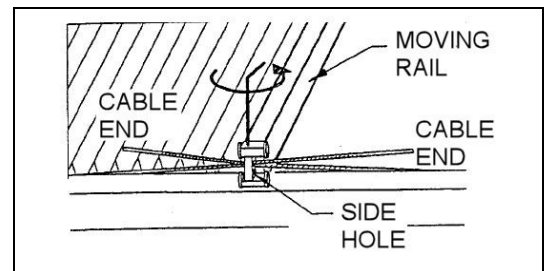
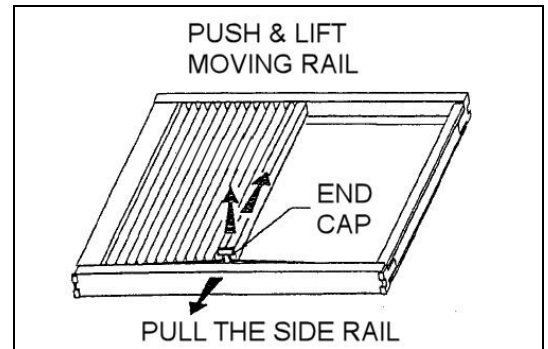
Note: If left end cap does not clear the side rail disconnect the side rail from hooks.

Pull cable ends out from inside the moving rail. Pull the lower cable end out of the side hole. Loosen set screw in left end cap with a small Phillips Head screwdriver. Put end cap back into side rail. Pull the cable ends in opposite directions to increase cable tension. Pulling these cables lifts the spring loaded lower pulleys. Adjust lower pulley height to the settings (as shown in diagrams below) for the small or large shades.

Re-tighten the set screw while maintaining cable tension.

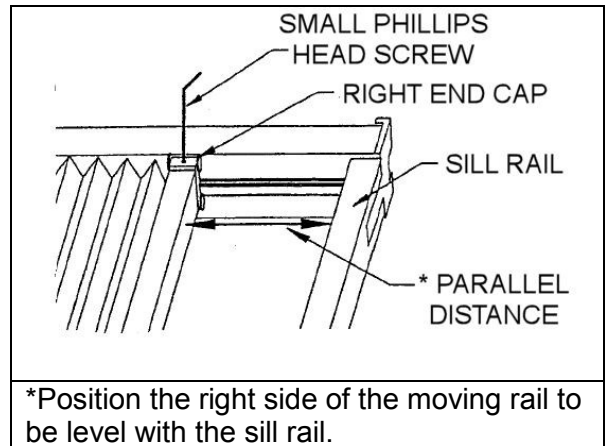
Note: Hold both cable ends in one hand while tightening set screw with other hand. Slip the lower cable end back up through the side hole. Put cable end back up through the side hole. Put cable ends back into moving rail, underneath the fabric.

See page 8, Moving Rail Leveling Adjustment to re-level the shade.



MOVING RAIL LEVELING ADJUSTMENT

Position the moving rail approximately 4 inches from the sill rail. Loosen the set screw in the right end cap with the small Phillips Head screwdriver. Level the right side of the moving rail to match the right side of the moving rail to match the already fixed left side with the sill rail. Make sure there is an equal distance from the sill rail to the left and right side of the moving rail. When the moving rail is level, re-tighten the set screw to secure the right end cap to the cable.



SUPPORT CORD TENSION ADJUSTMENT

Note: Stationary support cords are only required on shades wider than 54”.

Disconnect side rails from hooks. Locate the nut and threaded brass fitting attached to the support cord within the head rail assembly. Push the support cord to extend the nut and threaded fitting out from the head rail assembly. Position the nut up or down to decrease or increase support cord tension.

Note: Before re-attaching side rails, make sure the threaded fitting slips through the hold in the support bracket.

